

## TEST REPORT

# SABS

Ginde Pipes SA  
**Att: Mr. N Cronje**  
P.O. Box 4679  
Rietvalleirant  
0174

Your ref : Electronic  
Our ref : AH190d  
Enquiries : B.Felamu  
Tel no : (012) 428-6304/7005  
Page : 1 of 3  
Date : 14-05-2008

### TESTING TO SANS 21003-5:200X

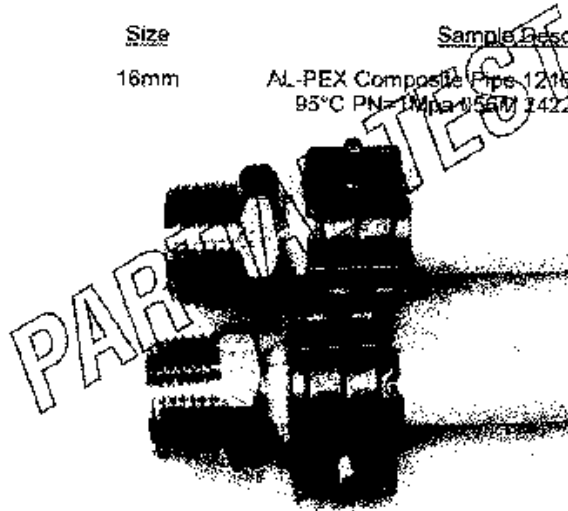
#### 0 SUMMARY

A partial specification test was performed on the Ginde multilayer pipes and fittings submitted. The Ginde multilayer pipes and fittings passed these tests Refer to Clause 4 for the detail of the test performed, clause 7 for a summary of the results.

#### 1 DESCRIPTION OF SAMPLE

The following Ginde multilayer pipes and fittings were submitted by Mr. N. Cronje of the company Ginde pipes SA.

<u>Sample No.</u>	<u>Size</u>	<u>Sample Description</u>
AH190d	16mm	AL-PEX Composite Pipe 1216-RX Hot Water Tmax = 95°C PN=1Mpa SAM 14223461725362044954



#### 2 REPORT CONDITIONS

*The contents of this test report refers to the sample/s detailed above and does not infer that the above samples (or any other similar samples) are SABS approved for quality and/or performance.*

*In the instance where this report is used to verify compliance with the JASWIC Accreditation Scheme, the validity of the test reports shall not exceed a period of one (1) year.*

#### 3 SAMPLE SUBMITTED

The Ginde multilayer pipes and fittings were received in good condition and were suitable for testing.

Date sample received :29-02-2008  
Date test started :29-02-2008  
Date test completed :29-02-2008

1 Dr Lategan Road Groenkloof, Private Bag X191 Pretoria 0001, Tel: +27 (012) 428-7911, Fax: +27 (012) 344-1568.

This test was performed by SABS Commercial (Pty) Ltd.  
This report and the test results relate only to the specific sample(s) identified herein. They do not imply SABS approval of the quality and/or performance of the item(s) in question and the test results do not apply to any similar item (but has not been tested).  
(Refer also to the complete conditions printed on the back of this page.)